

No. / Nr.

1

2

3

4

5

6

7



www.max-vitaal.nl

1999934

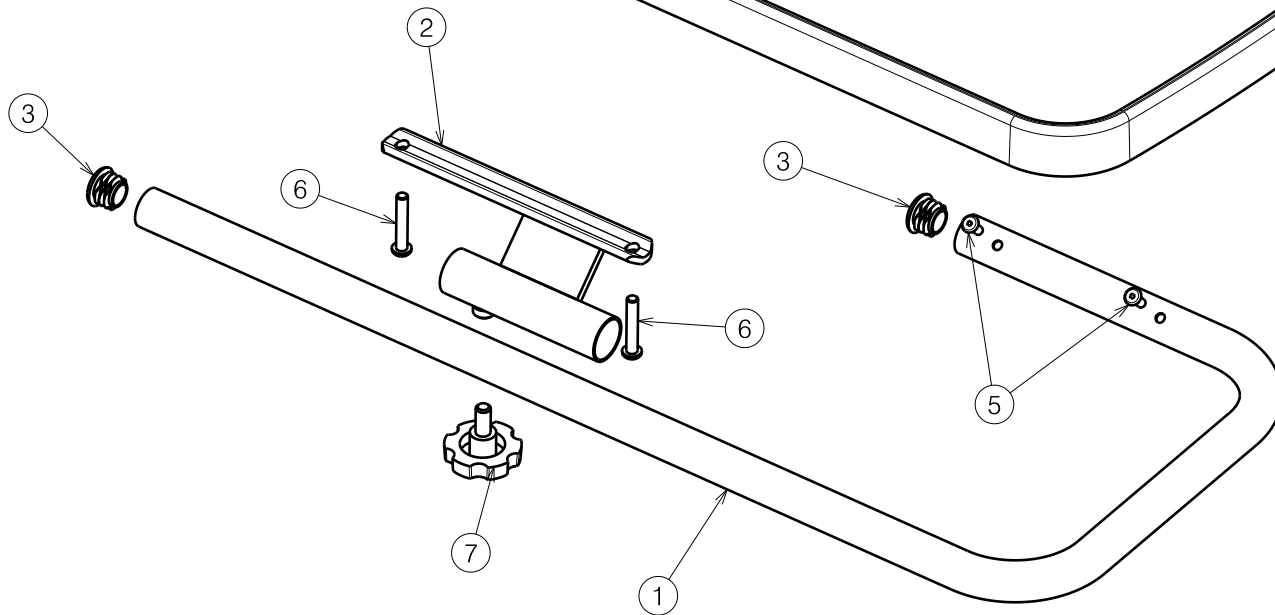
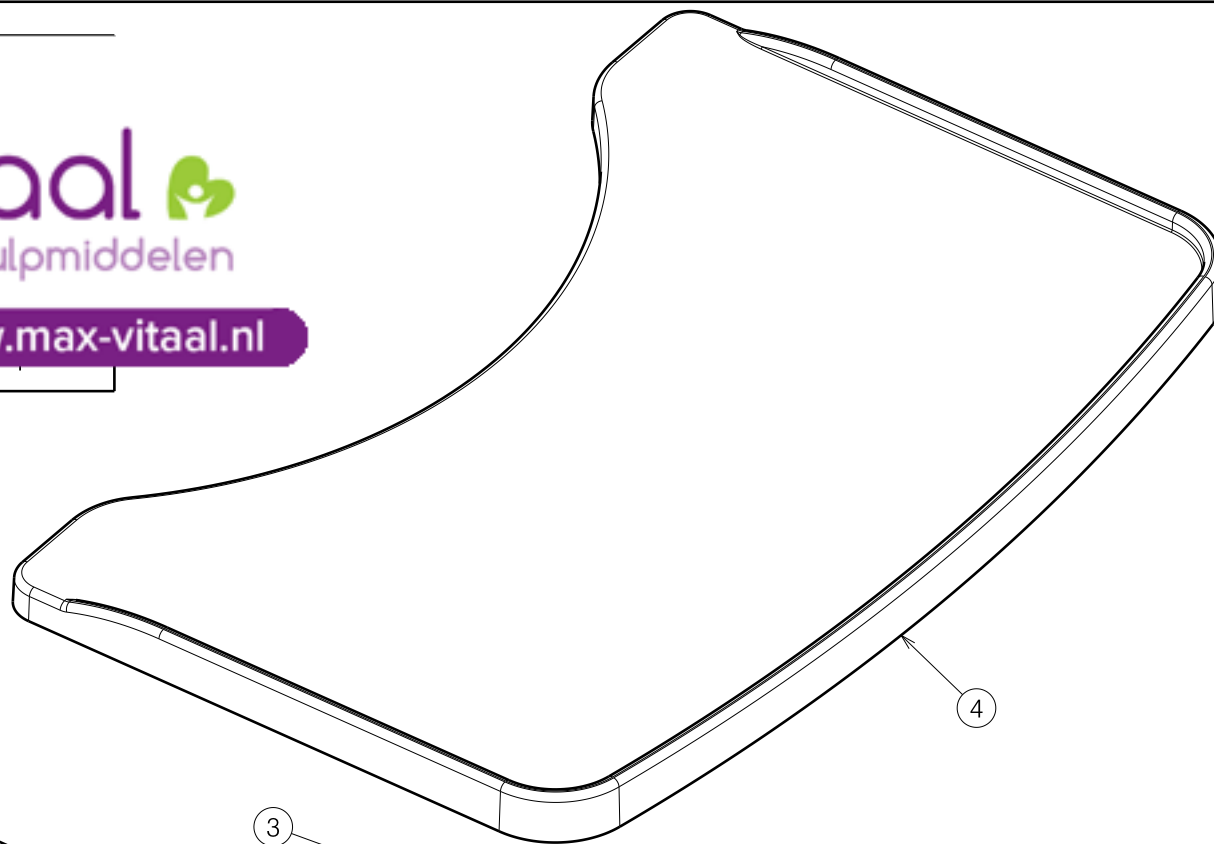


TABLE (B12-B13) TYPE ALESIA  
TAFEL (B12-B13) TYPE ALESIA

Plan No. / Plannr.

E000507/C

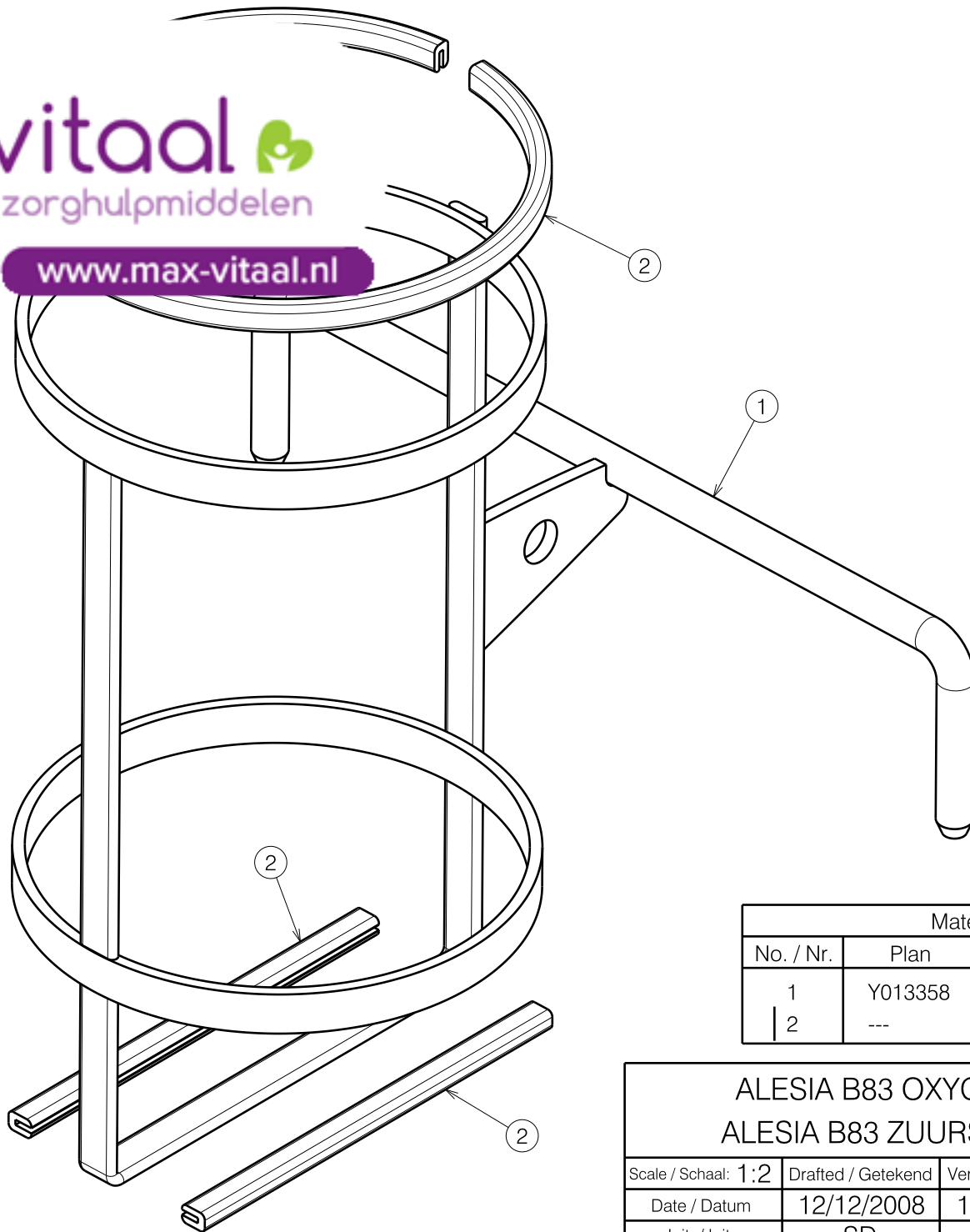
Scale / Schaal: 1:4	Drafted / Getekend	Verified / Nagezien	Confirmed / Bevestigd
Date / Datum	12/05/2009	12/10/2009	12/10/2009
Init. / Init.	SD	SD	PJ





vitaal  
zorghulpmiddelen

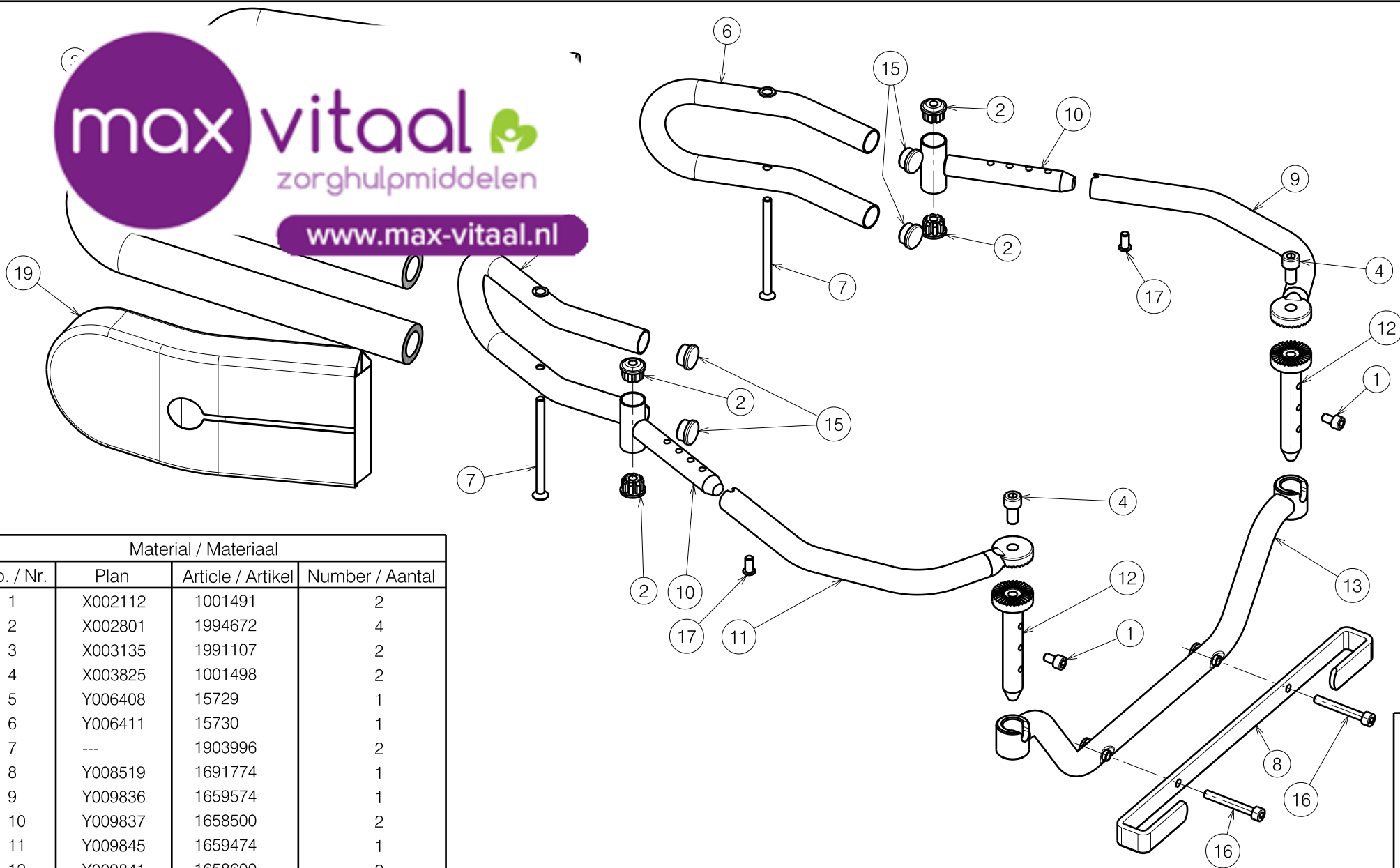
www.max-vitaal.nl



Material / Materiaal			
No. / Nr.	Plan	Article / Artikel	Number / Aantal
1	Y013358	1699874	1
2	---	1003299	0.82 m


1903665

<b>ALESIA B83 OXYGEN CARRIER</b> <b>ALESIA B83 ZUURSTOFHOUDER</b>				Plan No. / Plannr.
				E000537/B
Scale / Schaal: 1:2	Drafted / Getekend	Verified / Nagezien	Confirmed / Bevestigd	
Date / Datum	12/12/2008	16/12/2008	16/12/2008	
Init. / Init.	SD	SD	PJ	

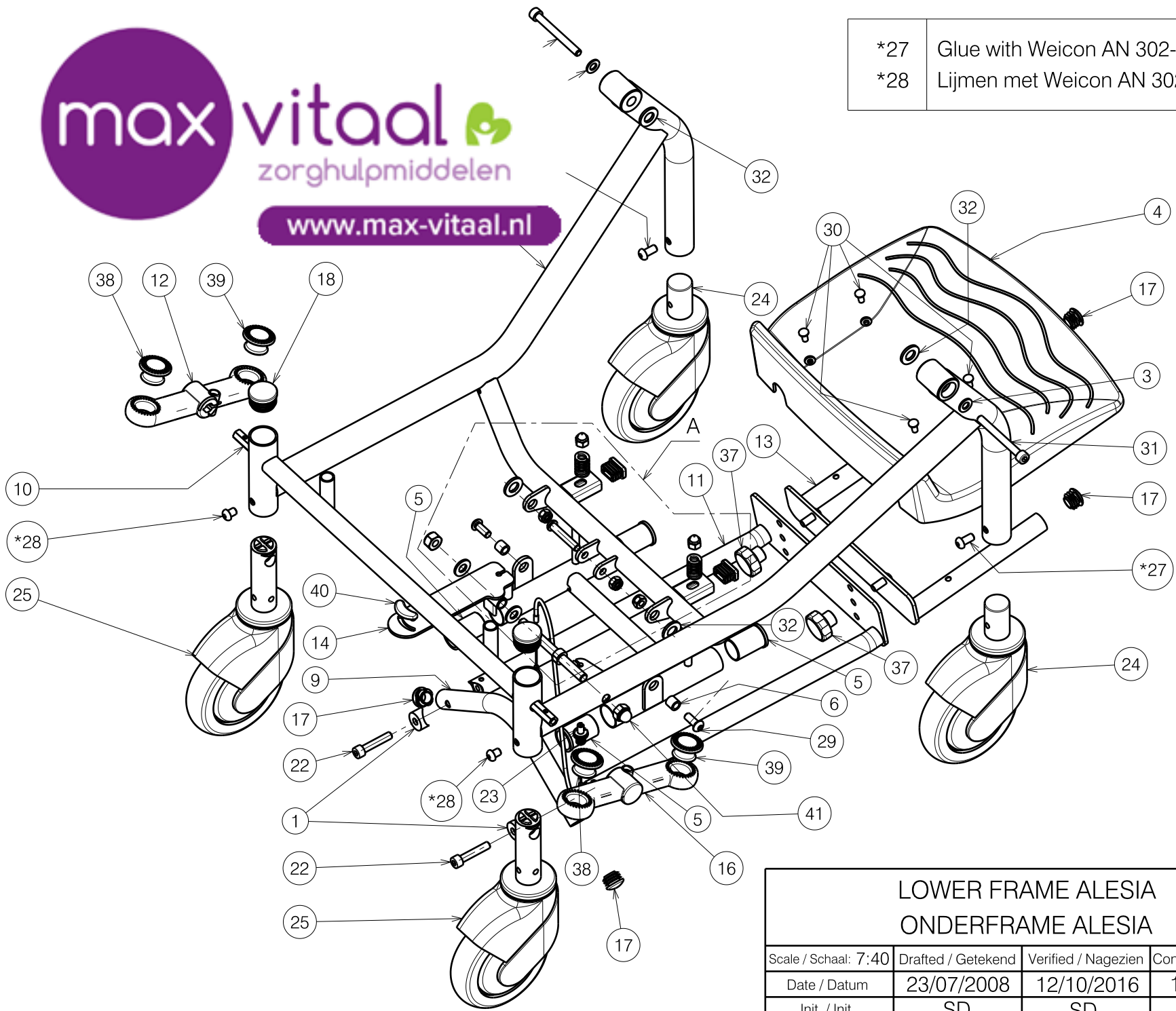


Material / Materiaal			
No. / Nr.	Plan	Article / Artikel	Number / Aantal
1	X002112	1001491	2
2	X002801	1994672	4
3	X003135	1991107	2
4	X003825	1001498	2
5	Y006408	15729	1
6	Y006411	15730	1
7	---	1903996	2
8	Y008519	1691774	1
9	Y009836	1659574	1
10	Y009837	1658500	2
11	Y009845	1659474	1
12	Y009841	1658600	2
13	Y014722	1710674	1
15	---	1001602	4
16	---	1003109	2
17	---	1007000	2
19	---	1903663 (L)	1
	---	1903664 (R)	1

1903661

L04 SIDE SUPPORT TYPE ALESIA				Plan No. / Plannr.
L04 PELOTTEN TYPE ALESIA				E000536/B
Scale / Schaal: 1:4	Drafted / Getekend	Verified / Nagezien	Confirmed / Bevestigd	
Date / Datum	11/12/2008	24/03/2009	24/03/2009	
Init. / Init.	SD	SD	PJ	

\*27 Glue with Weicon AN 302-43 (H900009)  
\*28 Lijmen met Weicon AN 302-43 (H900009)



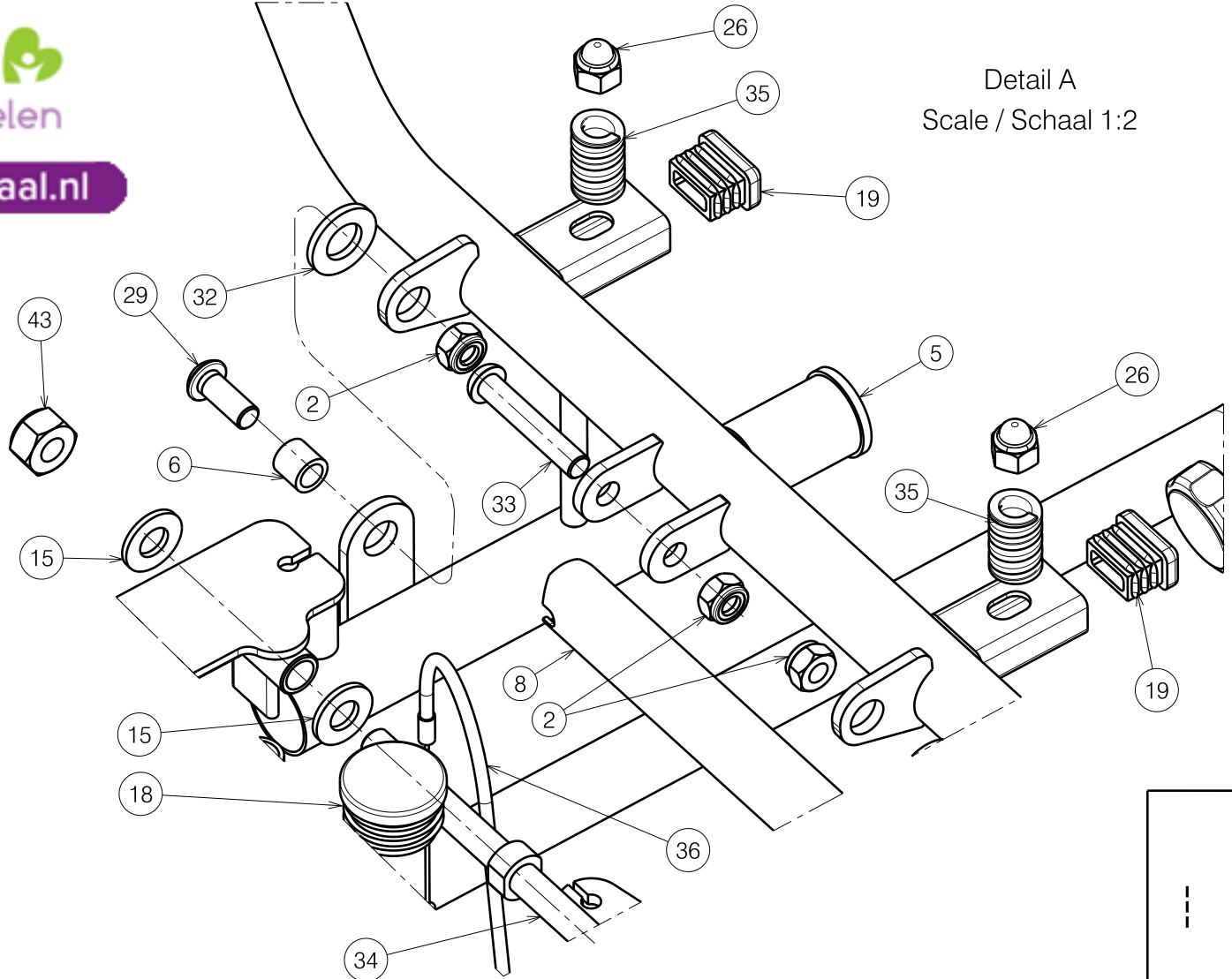
<b>LOWER FRAME ALESIA</b> <b>ONDERFRAME ALESIA</b>				Plan No. / Plannr.
				E000471/L
Scale / Schaal: 7:40	Drafted / Getekend	Verified / Nagezien	Confirmed / Bevestigd	
Date / Datum	23/07/2008	12/10/2016	12/10/2016	
Init. / Init.	SD	SD	PJ	



max vitaal  
zorghulpmiddelen

www.max-vitaal.nl

Detail A  
Scale / Schaal 1:2

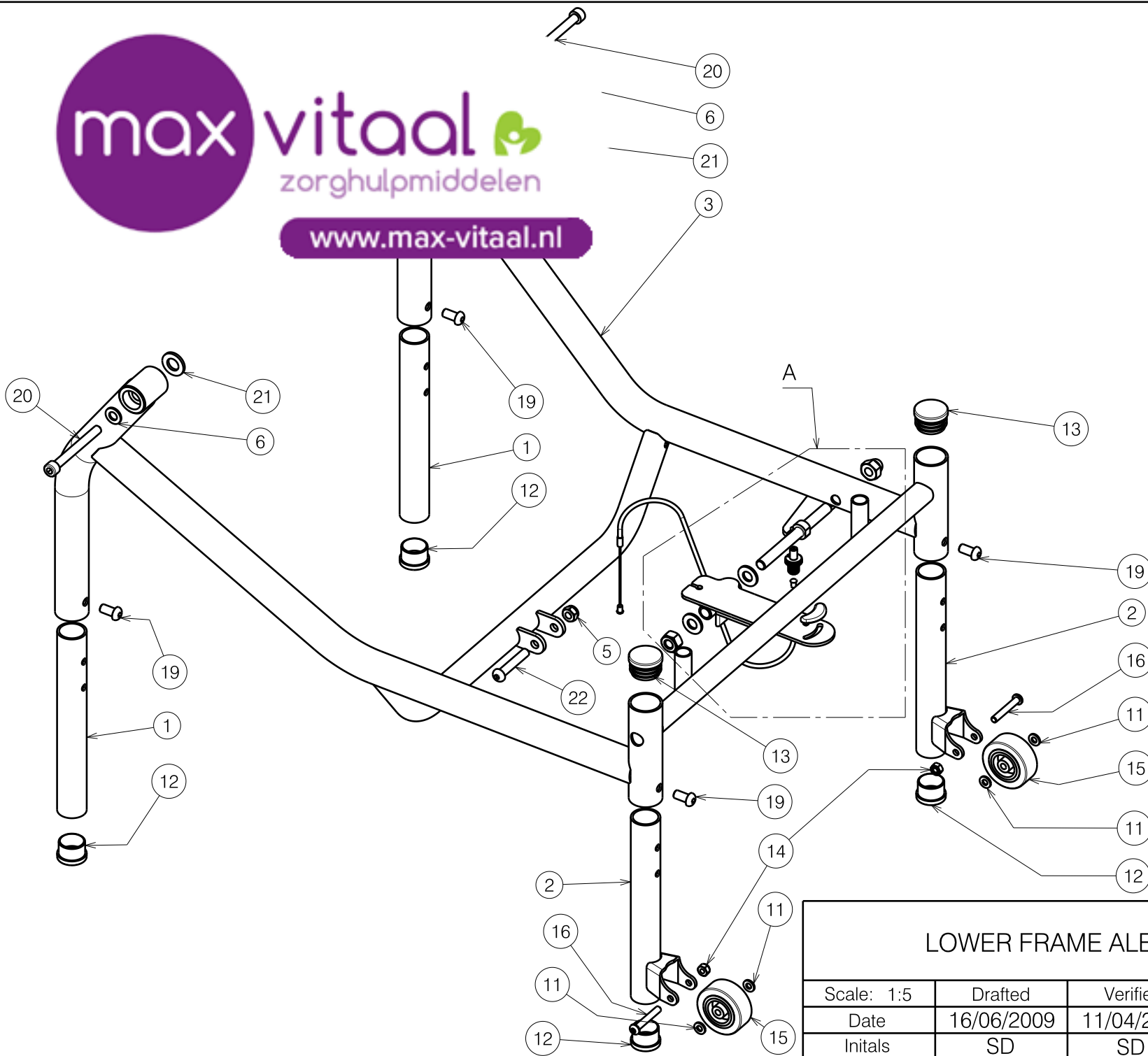


- 1
- 2
- 3
- 4
- 5
- 6
- 7
- 8
- 9
- 10
- 11
- 12
- 13
- 14
- 15
- 16
- 17
- 18
- 19
- 22
- 23
- 24
- 25
- 26
- 27
- 28
- 29
- 30
- 31
- 32
- 33
- 34
- 35
- 36
- 37
- 38
- 39
- 40
- 41
- 43


Y006900	1999971
Y007015	1691101
Y008570	1691400
Y021868	2023501
---	1912500
Y021871	2023401
Y013418	1691074
---	1001557
---	1912501
---	1990648
---	1001610
---	1001616
---	1001500
---	1900008
---	1902149
---	1902150
---	1902024
---	1991858
---	1992177
---	1992349
---	1992835
---	1992973
---	1993362
---	1994473
X004393	1700100
---	1902846
X004267	1903027
---	1998550
---	1911604
---	1912499
X004295	1903132
---	1009994
---	1001683

- 1
- 1
- 1
- 1
- 2
- 1
- 4
- 2
- 2
- 2
- 1
- 2
- 2
- 2
- 2
- 2
- 4
- 2
- 4
- 1
- 1
- 2
- 2
- 2
- 2
- 1
- 1
- 2
- 2
- 2
- 1
- 1
- 1
- 1
- 1
- 1

LOWER FRAME ALESIA ONDERFRAME ALESIA				Plan No. / Plannr. E000471/L
Scale / Schaal: 7:40	Drafted / Getekend	Verified / Nagezien	Confirmed / Bevestigd	
Date / Datum	23/07/2008	12/10/2016	12/10/2016	
Init. / Init.	SD	SD	PJ	



1904340

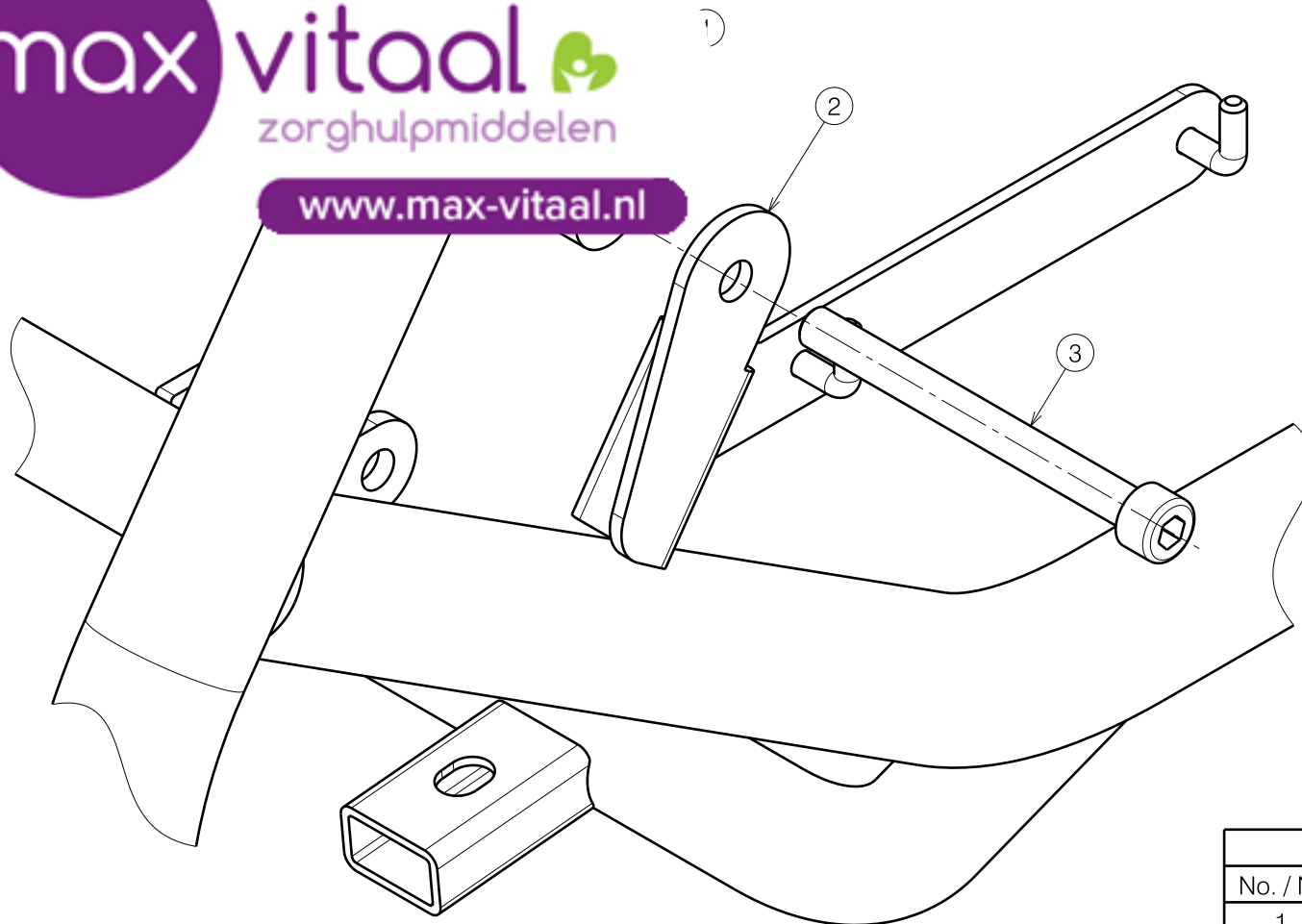
LOWER FRAME ALESIA FIX				Plan Number
				E000565/B
Scale: 1:5	Drafted	Verified	Confirmed	
Date	16/06/2009	11/04/2011	11/04/2011	
Initials	SD	SD	PJ	



Material			
No.	Plan	Article	Quantity
1	Y009889	1713201	2
2	Y009890	1719401	2
3	Y009891	1719574	1
4	Y013418	1691074	1
5	X001016	1001682	1
6	X001119	1001554	2
7	X004267	1903027	1
8	X004295	1903132	1
9	X004393	1700100	1
10	---	1001557	2
11	---	1001564	4
12	---	1001606	4
13	---	1001610	2
14	---	1001680	2
15	---	1003277	2
16	---	1006111	2
17	---	1009994	1
18	---	1900008	1
19	---	1991858	4
20	---	1992973	2
21	---	1993362	2
22	---	1994473	1
23	---	1001683	1

1904340

LOWER FRAME ALESIA FIX				Plan Number
				E000565/B
Scale: 1:5	Drafted	Verified	Confirmed	
Date	16/06/2009	11/04/2011	11/04/2011	
Initials	SD	SD	PJ	

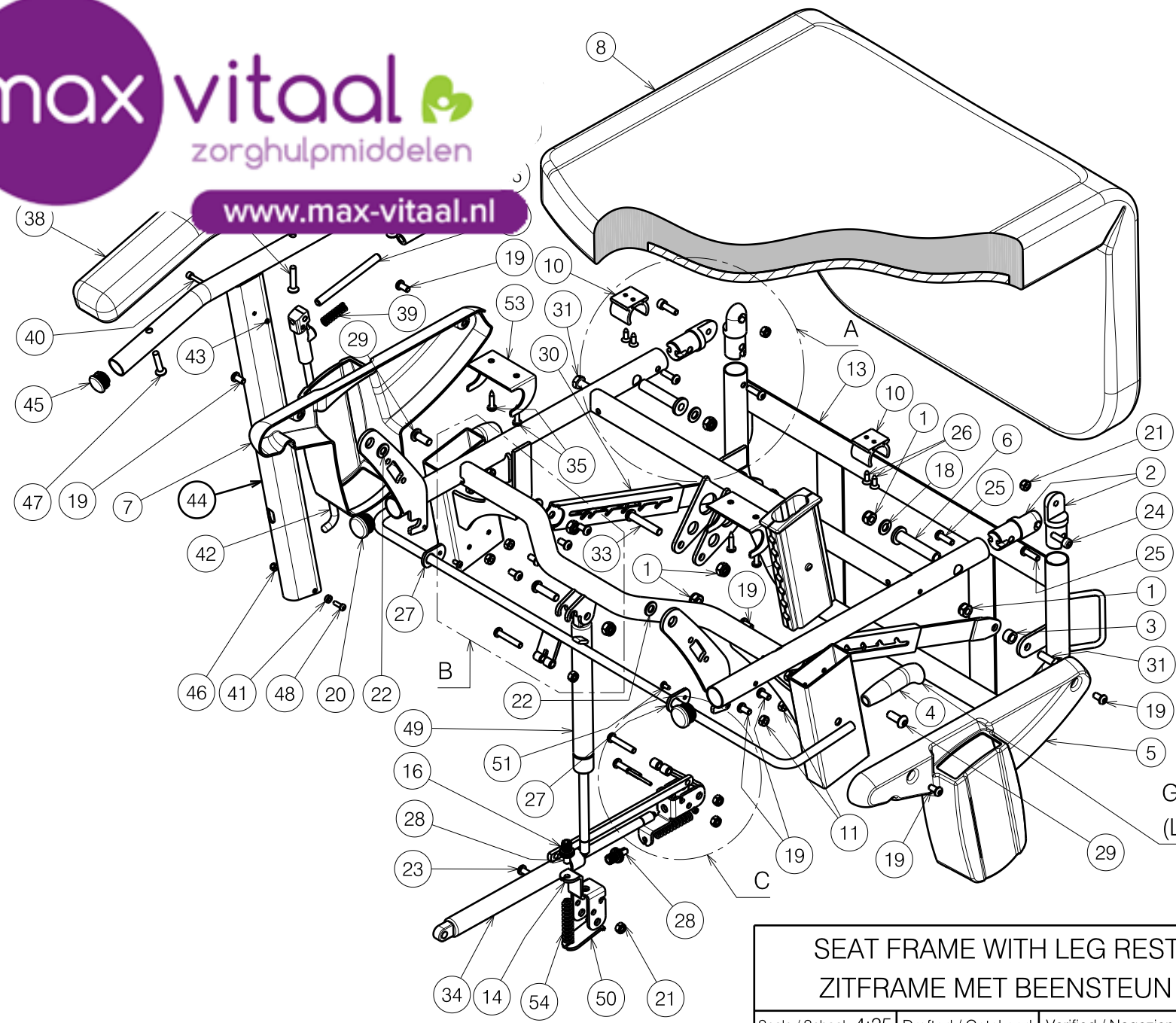


Material / Materiaal			
No. / Nr.	Plan	Article / Artikel	Number / Aantal
1	X003329	1996776	1
2	Y012999	1690774 (L)	1
	Y013002	1690874 (R)	1
3	---	1902802	1

URINE BAG CARRIER ALESIA URINEZAKHOUDER ALESIA			Plan No. / Plannr. E000479/A
Scale / Schaal: 3:4	Drafted / Getekend	Verified / Nagezien	Confirmed / Bevestigd
Date / Datum	18/07/2008	18/07/2008	18/07/2008
Init. / Init.	SD	SD	PJ



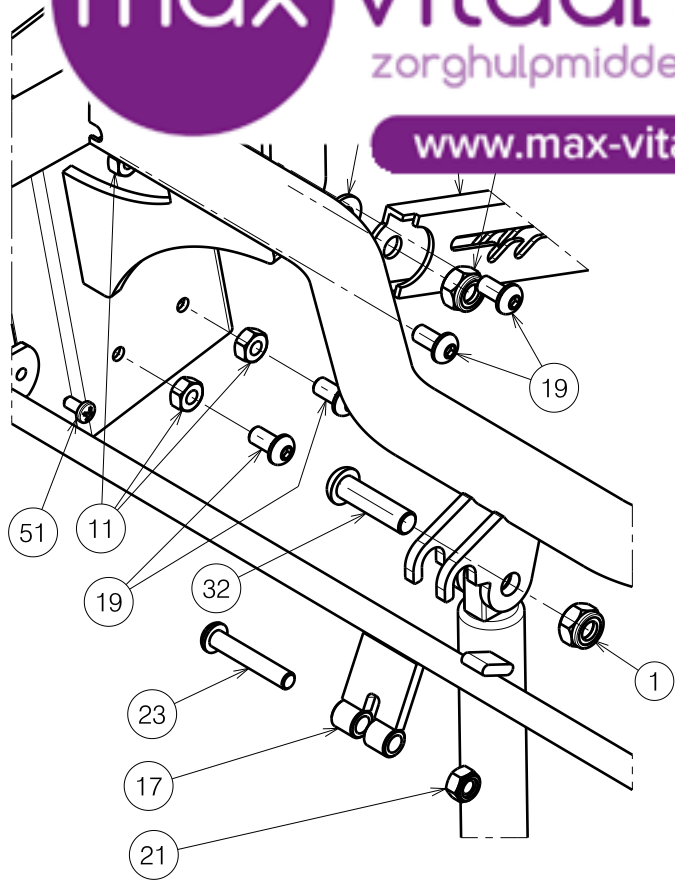




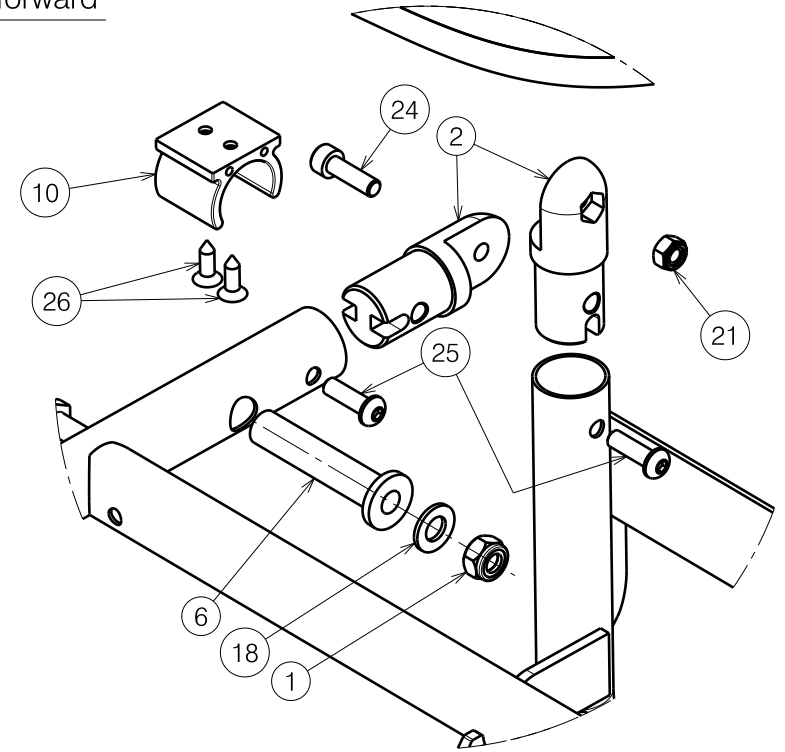
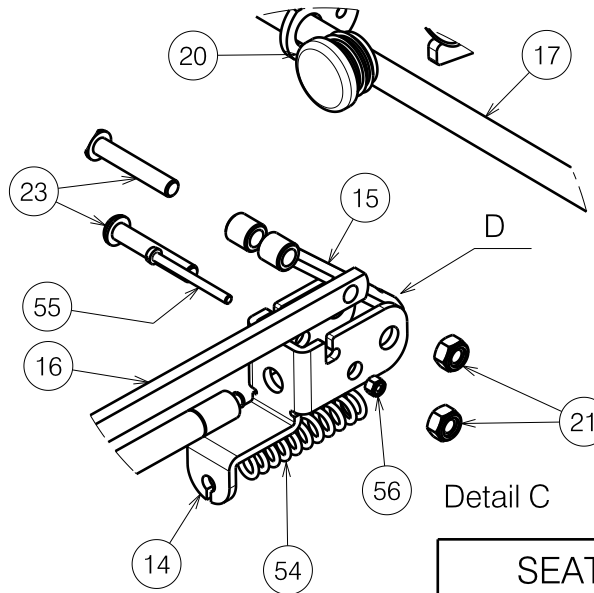
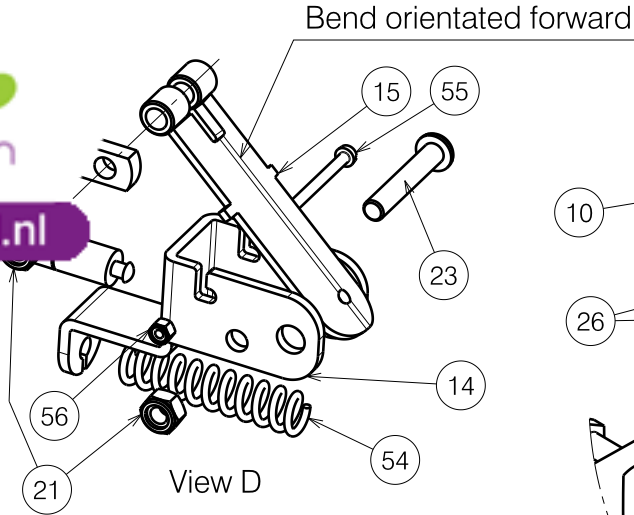
1903208

Glue with H900006  
(Loctite 495)

SEAT FRAME WITH LEG REST ALESIA ZITFRAME MET BEENSTEUN ALESIA				Plan No. / Plannr. E000472/R
Scale / Schaal: 4:25	Drafted / Getekend	Verified / Nagezien	Confirmed / Bevestigd	
Date / Datum	17/07/2008	16/11/2020	16/11/2020	
Init. / Init.	SD	SD	PJ	



Detail B



1903208

SEAT FRAME WITH LEG REST ALESIA			Plan No. / Plannr.
ZITFRAME MET BEENSTEUN ALESIA			E000472/R
Scale / Schaal: 4:25	Drafted / Getekend	Verified / Nagezien	Confirmed / Bevestigd
Date / Datum	17/07/2008	16/11/2020	16/11/2020
Init. / Init.	SD	SD	PJ



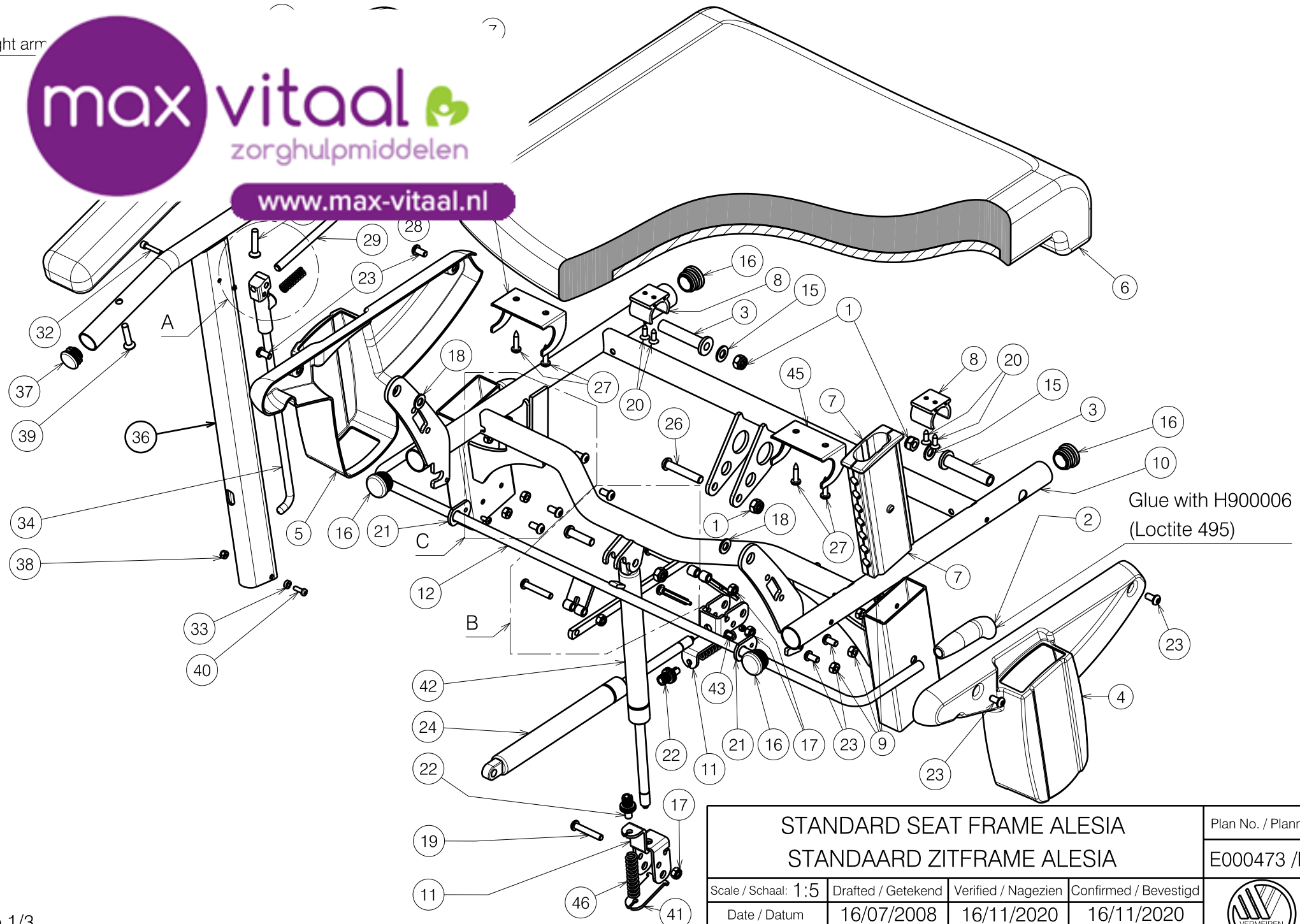


[www.max-vitaal.nl](http://www.max-vitaal.nl)


			Material / Materiaal				
			Quantity	No. / Nr.	Plan	Article / Artikel	Quantity
			8	30	---	1991982	2
			1	31	M8x25 DIN933/8.8	1001442	2
			2	32	M8x30	1992717	2
			2	33	M8x45	1994473	2
			1	34	---	1996871	1
			2	35	Ø4.8x22 DIN9781	2990070	1
7	X004005	1902074	1	36	---	1998407	2
8	X004104	1902291	1	37	XP00176	1824100	2
9	X004347	1903644	4	38	X004355	1902817 (Le/Li)	1
10	XP00106	2990072	2		X004356	1902819 (Ri/Re)	1
11	M6 DIN934	1001670	11	39	XC00423	3991837	2
12	Y008372	1691674	1	40	XP00180	1824500	1
13	Y008449	1687874	1	41	XP00192	1826100	2
14	Y011640	1655100	2	42	XP00208	2990139	2
15	Y013856	1692200	1	43	XP00297	2990125	2
16	Y013857	1692300	1	44	Y013549	1704401 (Le/Li)	1
17	Y013365	1691901	1		Y014450	1704501 (Ri/Re)	1
18	M8 DIN126	1001554	2	45	---	1990648	4
19	M6x12	1007000	4	46	M4 DIN985	1001678	2
20	---	1001608	2	47	M6x30	1007954	6
21	M6 DIN985	1001680	6	48	M4x12 DIN9785H	1900952	2
22	M8 DIN125	1003199	4	49	---	1005602	6
23	M6x35	1006057	4	50	Y011652	1655200	2
24	M6x20 DIN912/8.8	1001493	2	51	Ø3.9x9.5 DIN7981	1001530	1
25	M6x20	1006999	4	53	YP00717	1821854	1
26	Ø3.9x16 DIN7982	1005767	4	54	---	1910774	2
27	Y015130	1432074	2	55	M3x35 DIN84	1911642	1
28	M7	1900008	2	56	M3 DIN985	1997899	1
29	M8x20	1992349	2				

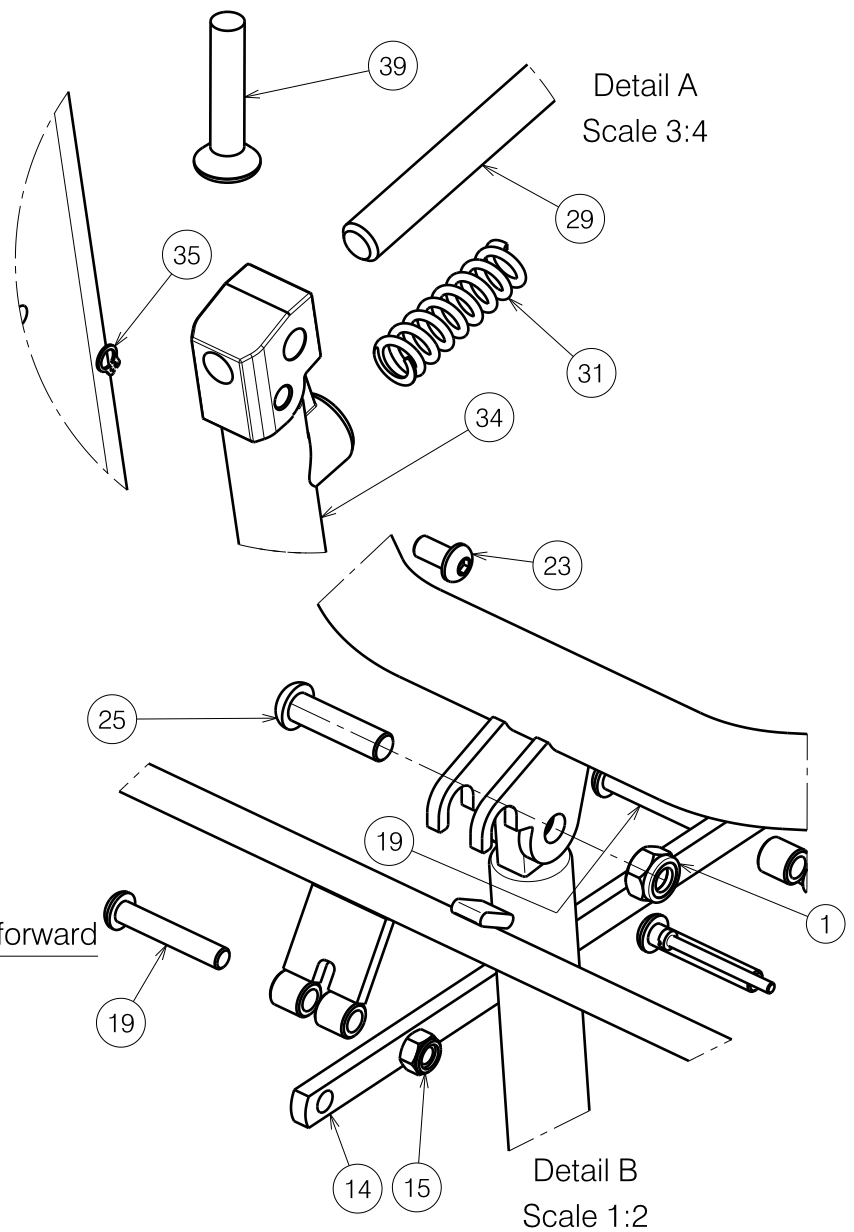
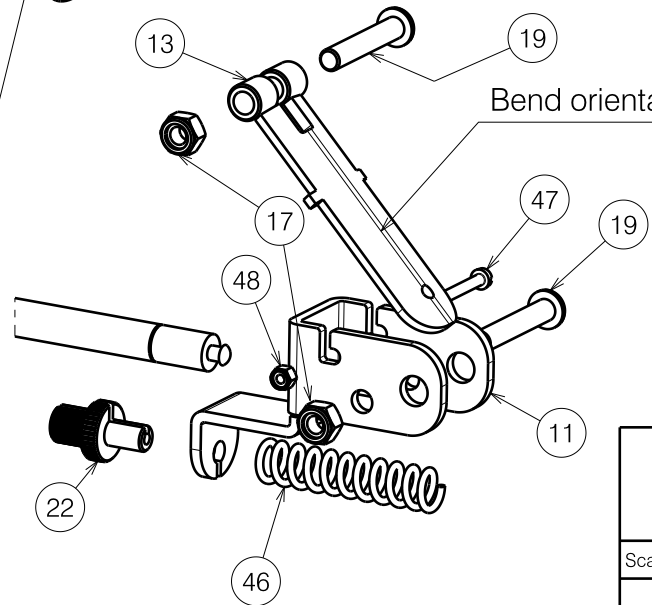
1903208


SEAT FRAME WITH LEG REST ALESIA ZITFRAME MET BEENSTEUN ALESIA				Plan No. / Plannr.
				E000472/R
Scale / Schaal: 4:25	Drafted / Getekend	Verified / Nagezien	Confirmed / Bevestigd	
Date / Datum	17/07/2008	16/11/2020	16/11/2020	
Init. / Init.	SD	SD	PJ	




Glue with H900006  
(Loctite 495)

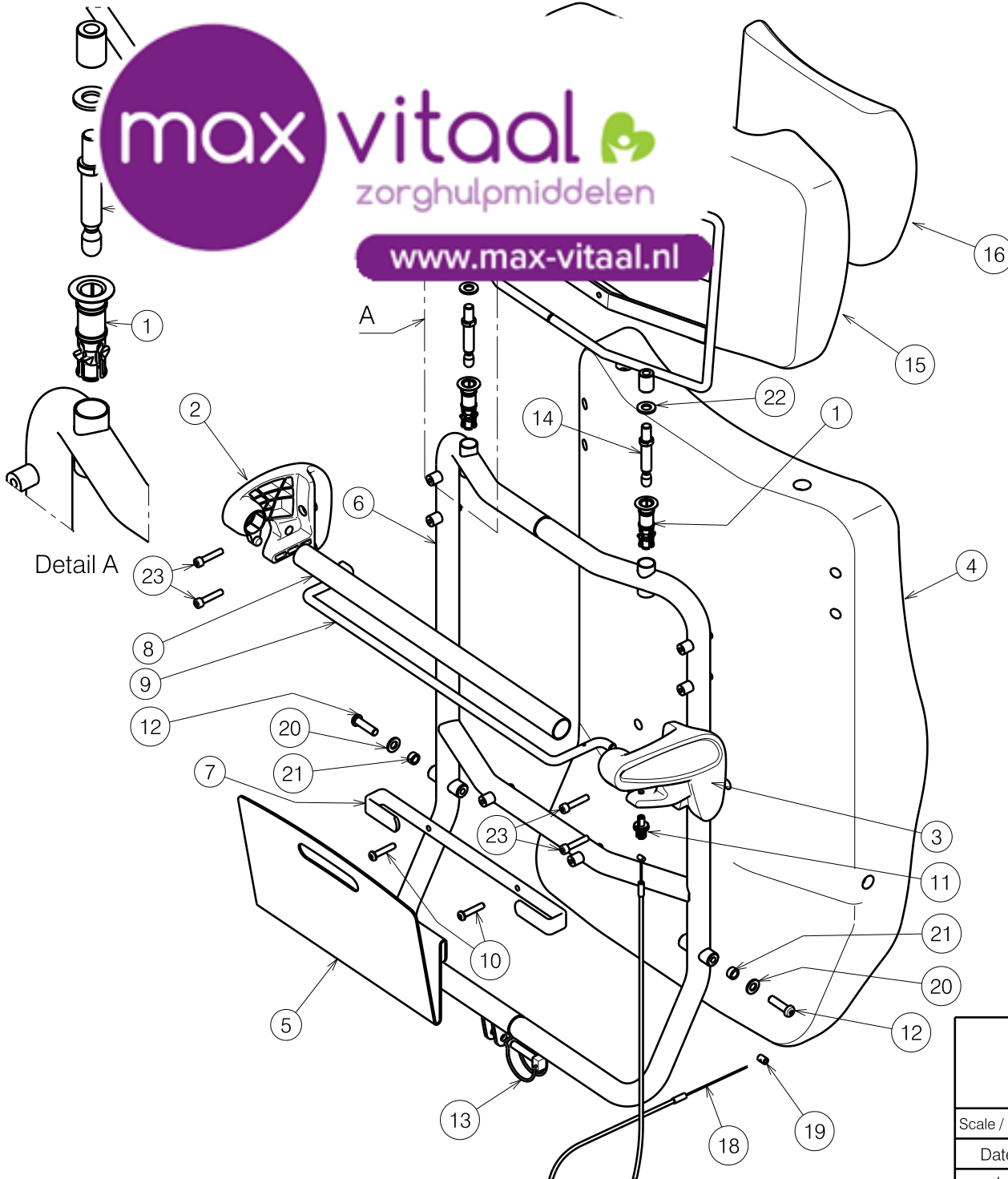
STANDARD SEAT FRAME ALESIA STANDAARD ZITFRAME ALESIA				Plan No. / Plannr. E000473 / P
Scale / Schaal: 1:5	Drafted / Getekend	Verified / Nagezien	Confirmed / Bevestigd	
Date / Datum	16/07/2008	16/11/2020	16/11/2020	
Init. / Init.	SD	SD	PJ	



STANDARD SEAT FRAME ALESIA STANDAARD ZITFRAME ALESIA				Plan No. / Plannr. E000473 /P
Scale / Schaal: 1:5	Drafted / Getekend	Verified / Nagezien	Confirmed / Bevestigd	
Date / Datum	16/07/2008	16/11/2020	16/11/2020	
Init. / Init.	SD	SD	PJ	

			Material				
			Quantity	No.	Plan	Article	Quantity
			4	26	M8x45 ISO7380	1994473	1
			2	27	4,8X22 DIN7981	2990070	4
			2	28	---	1998407	2
4	X004036	1902075	1	29	XP00176	1824100	2
5	X004065	1902074	1	30	X004355	1902817 (Left)	1
6	X004105	1902292	1		X004356	1902819 (Right)	1
7	X004347	1903644	4	31	XC00423	3991837	2
8	XP00106	2990072	2	32	XP00180	1824500	2
9	M6 DIN934	1001670	8	33	XP00192	1826100	2
10	Y008372	1691674	1	34	XP00208	2990139	2
11	Y011640	1655100	2	35	XP00297	2990125	2
12	Y013365	1691901	1	36	Y013549	1704401 (Left)	1
13	Y013856	1692200	1		Y014450	1704501 (Right)	1
14	Y013857	1692300	1	37	Ø22	1990648	4
15	M8 DIN126	1001554	2	38	M4 DIN985	1001678	2
16	Ø25	1001608	4	39	M6X30 DIN966	1007954	6
17	M6 DIN985	1001680	4	40	M4X12 DIN7985H	1900952	2
18	M8 DIN125	1003199	2	41	Y011652	1655200	1
19	M6x35 ISO7380	1006057	4	42	400 N	1005602	1
20	3,9X16 DIN7982	1005767	4	43	3,9X9,5 DIN7981	1001530	2
21	Y015130	1432074	2	45	YP00717	1821854	2
22	M7	1900008	2	46	---	1910774	2
23	M6x12 ISO7380	1007000	12	47	M3x35 DIN84	1911642	1
24	150 N	1996871	1	48	M3 DIN985	1997899	1
25	M8x30 ISO7380	1992717	1				

STANDARD SEAT FRAME ALESIA				Plan No. / Plannr.
STANDAARD ZITFRAME ALESIA				
Scale / Schaal: 1:5	Drafted / Getekend	Verified / Nagezien	Confirmed / Bevestigd	
Date / Datum	16/07/2008	16/11/2020	16/11/2020	
Init. / Init.	SD	SD	PJ	



Material / Materiaal			
No. / Nr.	Plan	Article / Artikel	Number / Aantal
1	X004040	1902293	2
2	X004066	1902076	1
3	X004068	1902077	1
4	X004094	1902290	1
5	X004115	1902726	1
6	Y008454	1687674	1
7	Y008519	1691774	1
8	Y013356	1691574	1
9	Y013360	1691801	1
10	---	1009588	2
11	---	1900008	1
12	---	1992717	2
13	---	1992510	1
14	X003443	1902294	2
15	X004093	1902289	1
16	X004195	1902644	1
17	Y013662	16877	1
18	X004268	1903028	1
19	---	1996853	1
20	X001119	1001554	2
21	X004279	1703300	2
22	---	1001558	2
23	---	1001495	4

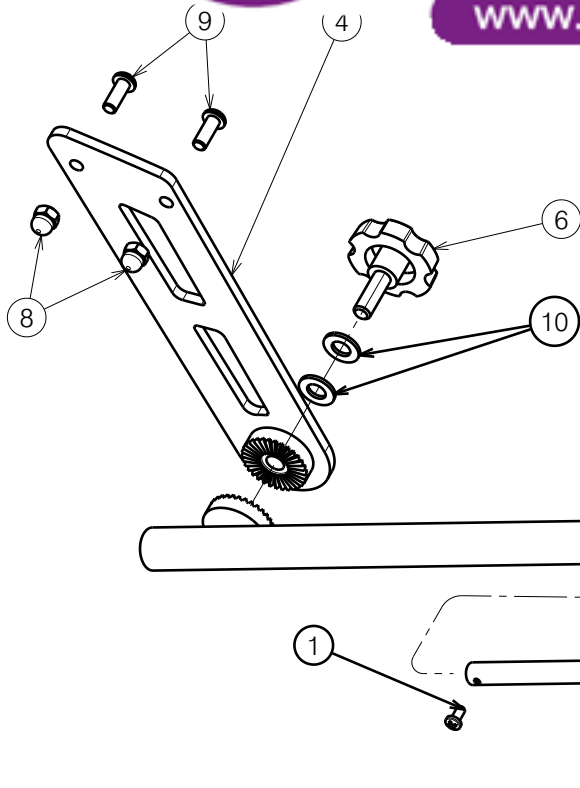
**BACK FRAME ALESIA**

Plan No. / Plannr.

E000474/J


Scale / Schaal: 3:20	Drafted / Getekend	Verified / Nagezien	Confirmed / Bevestigd
Date / Datum	17/07/2008	28/11/2019	28/11/2019
Init. / Init.	SD	SD	PJ



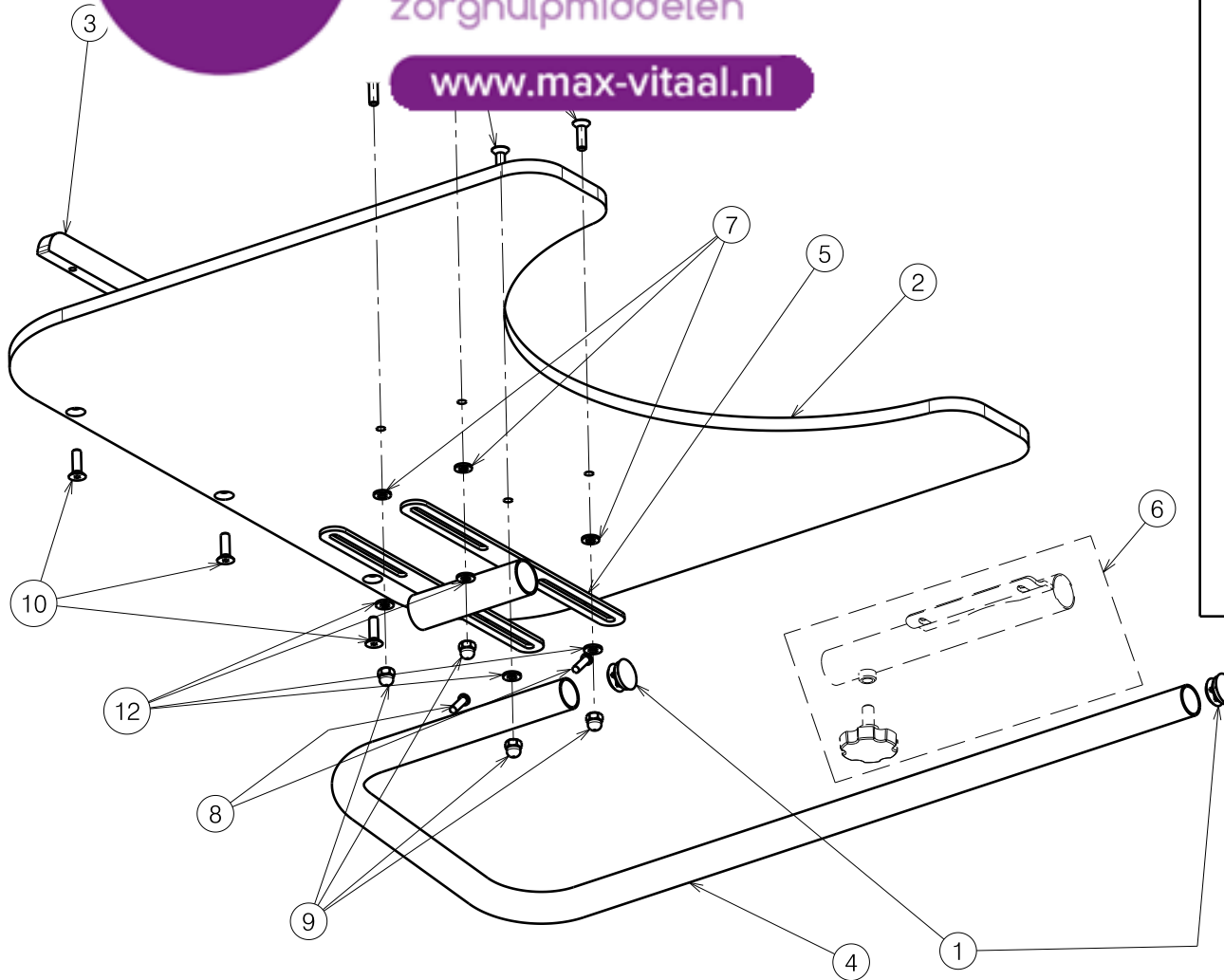


Material / Materiaal			
No. / Nr.	Plan	Article / Artikel	Number / Aantal
1	---	1001530	1
2	Y014103	1706301	1
3	Y012987	1692074	1
4	Y012990	1692174 (L)	1
	Y022309	2038874 (R)	1
6	---	1903731	1
7	---	1999934	1
8	---	1008492	2
9	---	1008459	2
10	X001119	1001554	2

1903207

B52 SERUM HOLDER ALESIA B52 SERUMHOUDER ALESIA				Plan No. / Plannr. E000478/G
Scale / Schaal: 1:3	Drafted / Getekend	Verified / Nagezien	Confirmed / Bevestigd	
Date / Datum	18/07/2008	19/01/2021	19/01/2021	
Init. / Init.	SD	TT	PJ	





Material				
No.	Plan	Article	Quantity	Model/Seat width
1	X001101	1001605	2	
2	X004746	1905771	1	39 / 42
	X004753	1905796	1	44/46/48/50 Inovys II 40/45
	X004754	1905797	1	53 / 56 Inovys II 50
	X004790	1905942	1	60
3	X004791	1905943	1	39 / 42
	X004792	1905944	1	44/46/48/50 Inovys II 40/45
	X004793	1905945	1	53 / 56 Inovys II 50
	X004794	1905946	1	60
4	Y002759	1217101	1	
5	Y011782	1678501	1	
6*	---	P000025	1	
7	M6 DIN125A	1000973	4	
8	---	1001589	4	
9	M6x12	1008492	4	
10	M6X20 DIN7991	1903081	7	
12	M6 DIN125A	1001564	4	

\* For attachment B13 refer to P000025

E000633 / L

B15 PLEXI TABLE MANUAL WHEELCHAIRS

Plan No. / Plannr.

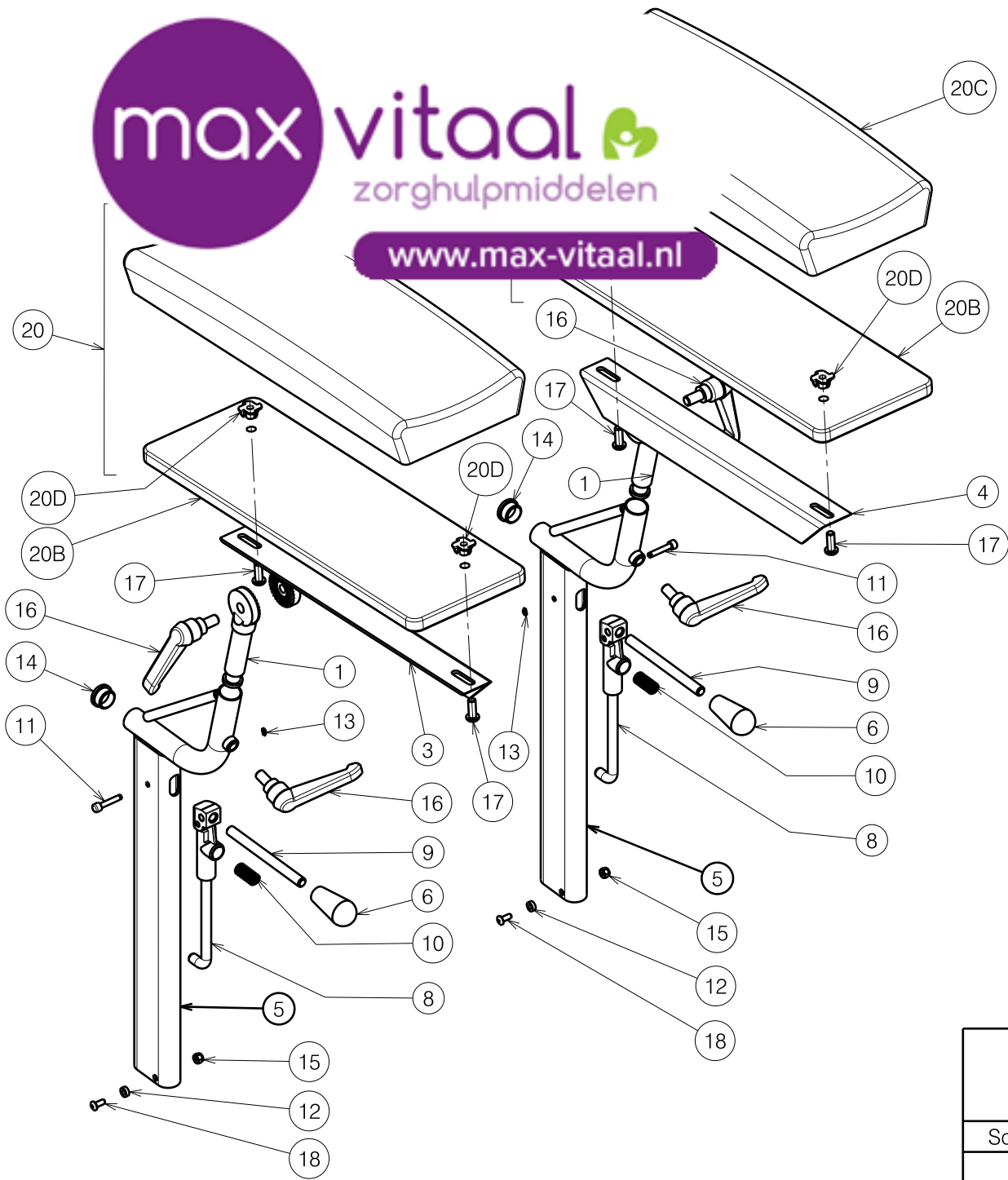
E000633 / L

Scale / Schaal: 1:5	Drafted / Getekend	Verified / Nagezien	Confirmed / Bevestigd
Date / Datum	26/07/2010	31/03/2020	31/03/2020
Init. / Init.	DD	SD	PJ





www.max-vitaal.nl



Material			
No.	Plan	Article	Quantity
1	Y011619	1643500	2
3	Y015605	1721874	1
4	Y015621	1721774	1
5	Y015658	1721501	2
6	---	1998407	2
8	X004559	1904586	2
9	XP00176	1824100	2
10	XC00423	3991837	2
11	XP00180	1824500	2
12	XP00192	1826100	2
13	XP00297	2990125	2
14	---	1001602	2
15	---	1001678	2
16	---	1904866	4
17	---	1008459	4
18	---	1900952	2
20	---	1902015 (32)	2
		1902016 (33)	2
		1902017 (34)	2
		1902018 (35)	2
		1902019 (36)	2
		1902020 (37)	2
		1902021 (38)	2
		1902022 (39)	2

Note 1: (XX) colour code

Note 2: 20A not depicted

1916635 - 1916636

<b>DONOR ARMREST ALESIA</b> Sheet 1/2				Plan Number
				E001142/D
Scale: 1:5	Drafted	Verified	Confirmed	
Date	06/02/2020	16/11/2020	16/11/2020	
Initials	TT	SD	PJ	



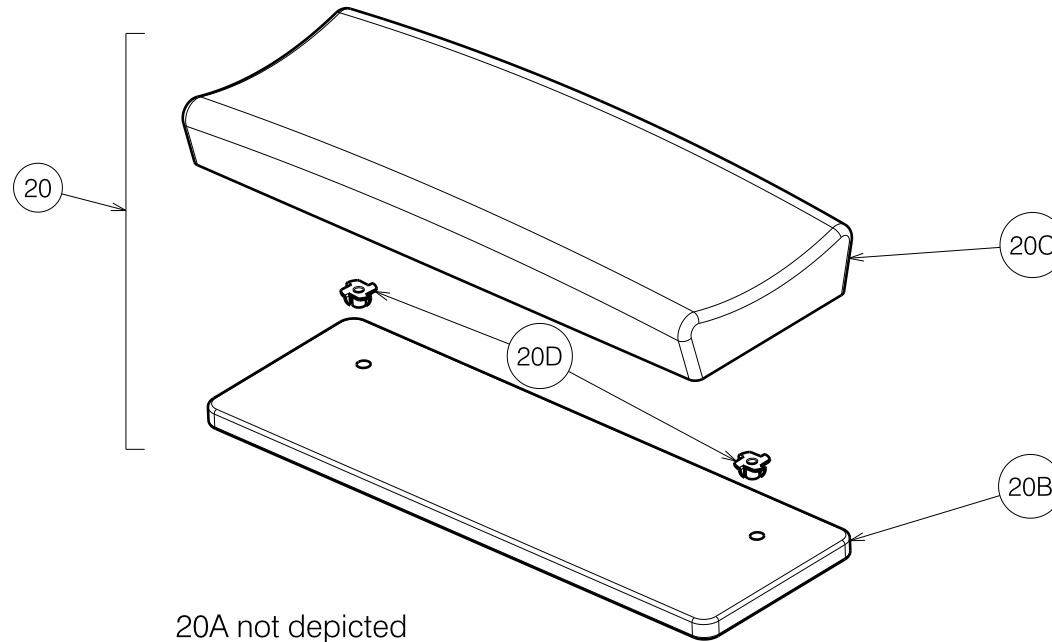
[www.max-vitaal.nl](http://www.max-vitaal.nl)

20C  
20D

---

Upholstery Material							Quantity
34	35	36	37	38	39		
Article							
1902017	1902018	1902019	1902020	1902021	1902022	2	
1998125	1998126	1998127	1998128	1998129	1998130	2	
H7618							2
1904736							2
1992516							4

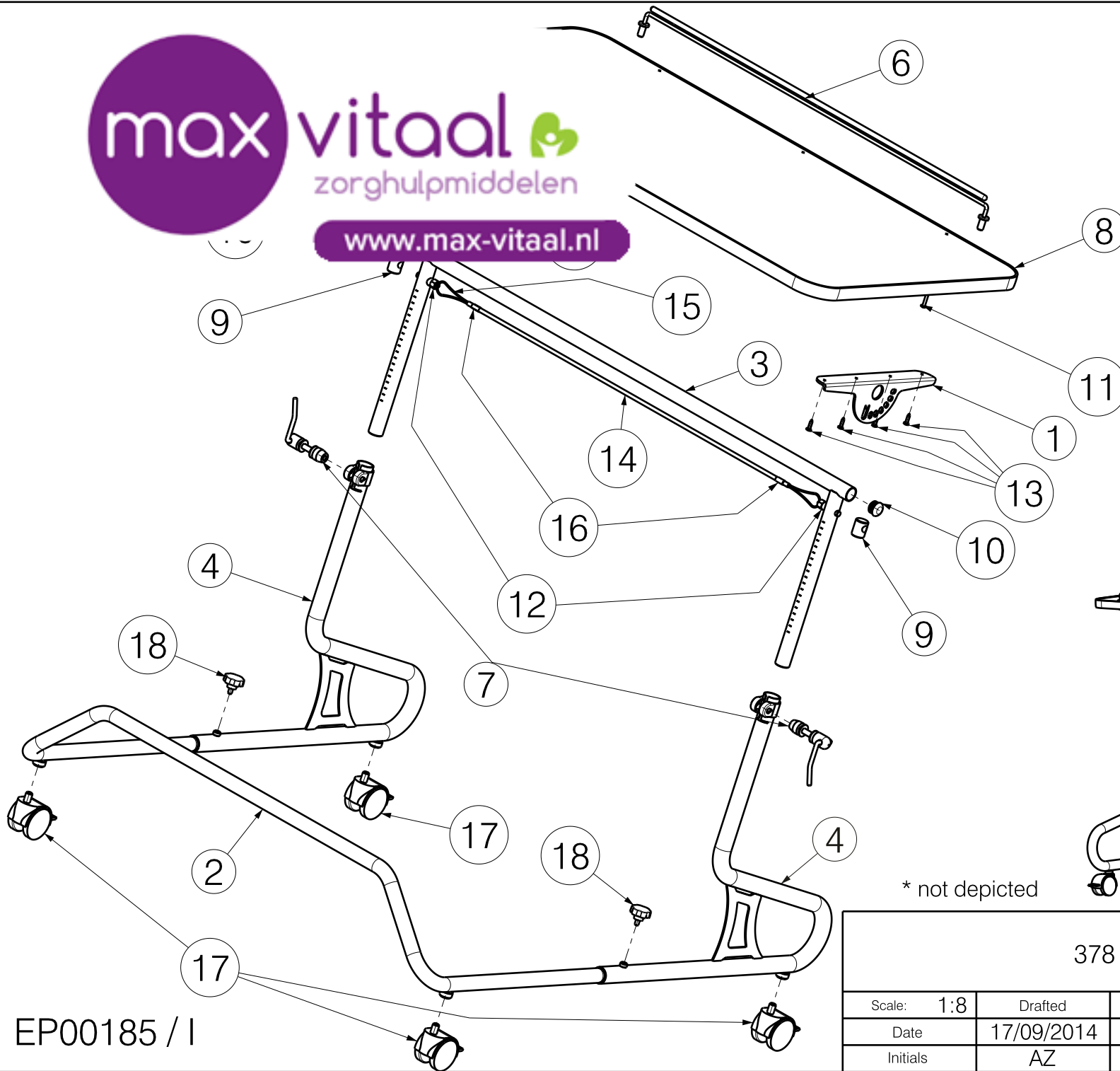
Quantities are for one pair



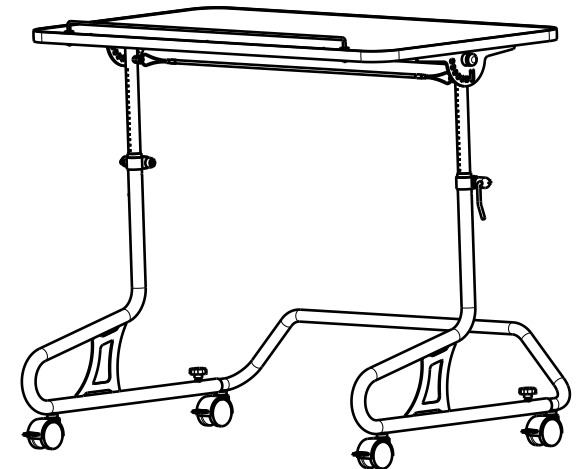
20A not depicted

1916635 - 1916636

DONOR ARMREST ALESIA Sheet 2/2				Plan Number
				E001142/D
Scale: 1:5	Drafted	Verified	Confirmed	
Date	06/02/2020	16/11/2020	16/11/2020	
Initials	TT	SD	PJ	




Material			
No.	Plan	Article	Quantity
1	YP04629	2893700	1
2	YP04651	2893938	1
3	YP04643	2894000	1
4	YP04654	2894238	2
5	YP04666	2893800	1
6	XP01451	2705900	1
7	---	1992400	2
8	XP01135	2992936	1
9	XP01146	2894300	2
10	---	1990648	2
11	M4x22	2993122	3
12	---	2990455	2
13	D4x16	1003021	8
14	---	1003279	0,4[m]
15	---	1992149	1
16	---	H005006	0,1[m]
17	---	1908666	4
18	Starknob M6x10	1003658	2
19*	---	2991192	2
20*	Box 720x590x970	U000245	1



\* not depicted

EP00185 / I

<b>378 TABLE</b>				Plan No. EP00185 / I
Scale: 1:8	Drafted	Verified	Confirmed	
Date	17/09/2014	28/01/2019	28/01/2019	
Initials	AZ	AZ	TK	

				Old article	Old plan number
A	B02 V-series	www.max-vitaal.nl	2000734	1785254	Y019321
	B03 V-series			1739854	Y016846
				1739854	Y016846
B	B05 V-series	1785254	Y019321	1758854	Y017854
	B04 V-series			1758854	Y017854
	Timix GT			---	---
	Timix / Forest 3			---	---
	Inovys			---	---
	Navix			1669954	Y012236
	Forest / Express			1671554	Y012536
	Ascend			1671554	Y012536
EZ-1	1671554	Y012536			
C	B02 708D	1779054	Y018970	1381504	Y002529
	B03 708D			1378304	Y002524
	B02 Eclips			1553654	Y005617
	B03 Eclips			1553954	Y005627
D	B05 708D	1548354	Y005478		
	B05 Eclips				
E	Serenys	1608254	Y007792		
	Serenys 917*	1662354	---		
	Alesia	1690374	Y014119		
	Comfort chair	1671982 / 1672082	Y012628 Y012629		
F	B04 V-series	2019454	Y021909		
	B15 V-series				

\* Not depicted

Eclips X4 kids -- E000911; Forest Kids / Springer -- E000912

Wooden table: E000538

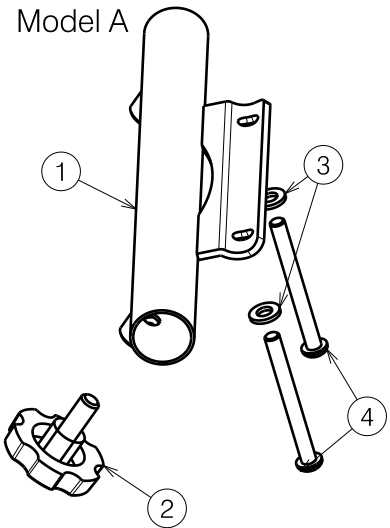
Plexi table manual wheelchair: E000633

Plexi table electro: E000744

Plastic table B15A: EP00190

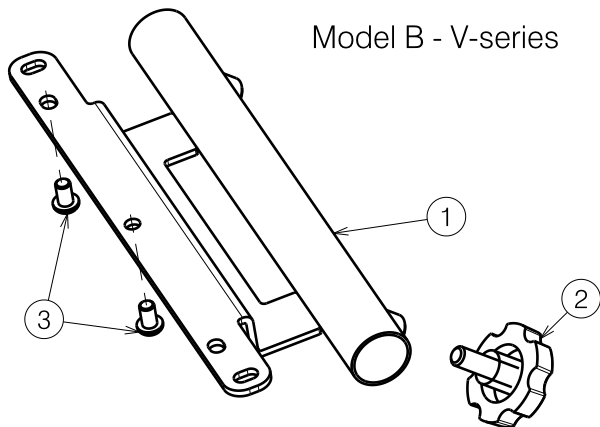
UNIVERSAL B13 2013				Plan No.
				P000025 / E
Scale: 1:8	Drafted	Verified	Confirmed	
Date	20/03/2013	26/09/2017	26/09/2017	
Initials	SD	SD	PJ	

No. /
1
2
3
4



Model A

\*For B15A table (EP00190) double the quantity



Model B - V-series

Material / Materiaal - Model B V-series			
No. / Nr.	Plan	Article / Artikel	Quantity / Aantal*
1	Y019321	1785254	1
2	M8x16	2990024	1
3	M6x10	1900641	2

\*For B15A table (EP00190) double the quantity

Material / Materiaal - Model B Electro / Inovys			
No. / Nr.	Plan	Article / Artikel	Quantity / Aantal*
1	Y019321	1785254	1
2	M8x16	2990024	1
3A	M6x16	1008459	2
3B	M6x20	1006999	2
3C	M6x30	1900641	2
3D	M6x60	1992915	2

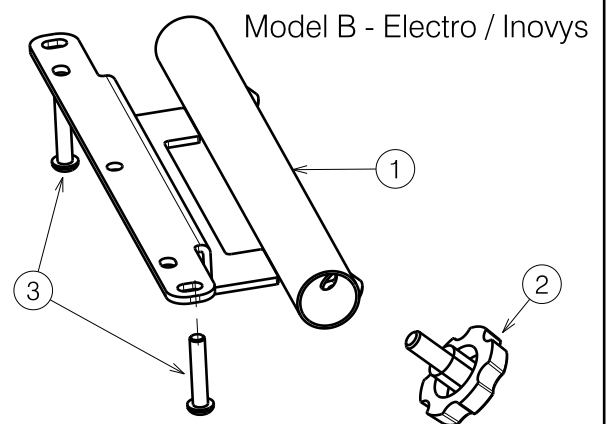
\*For B15A table (EP00190) double the quantity

3A: Timix GT / Timix / Forest 3

3B: EZ1

3C: Inovys / Navix

3D: Ascend / Forest / Express



Model B - Electro / Inovys

UNIVERSAL B13 2013				Plan No.
				P000025 / E
Scale: 1:3	Drafted	Verified	Confirmed	
Date	20/03/2013	26/09/2017	26/09/2017	
Initials	SD	SD	PJ	

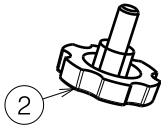


Material / Materiaal - Model C 708D		
	Article / Artikel	Quantity / Aantal*
16	1739854	1
16	2990024	1
M6x35 DIN966	1009803	2

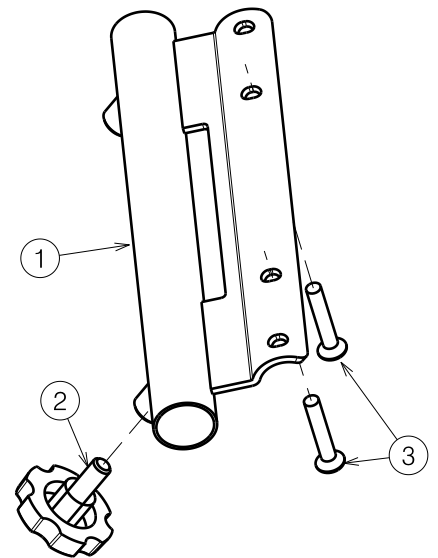


www.max-vitaal.nl

\*For B15A table (EP00190) double the quantity



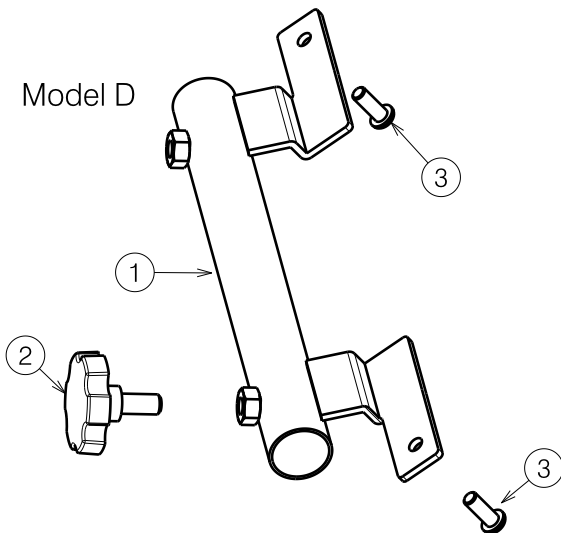
Model C - Eclips / Jazz



Material / Materiaal - Model C Eclips / Jazz			
No. / Nr.	Plan	Article / Artikel	Quantity / Aantal*
1	Y021062	2008754	1
2	M8x16	2990024	1
3	M6x35 DIN966	1003903	2

\*For B15A table (EP00190) double the quantity

Model D



Material / Materiaal - Model D			
No. / Nr.	Plan	Article / Artikel	Quantity / Aantal*
1	Y019321	1785254	1
2	M8x16	2990024	1
3	M6x16	1008459	2

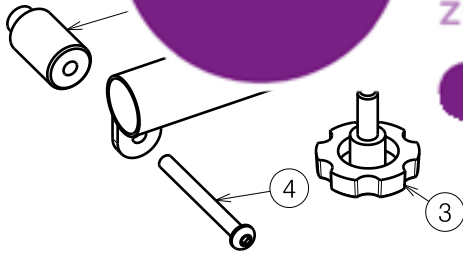
\*For B15A table (EP00190) double the quantity

UNIVERSAL B13 2013				Plan No.
				P000025 / E
Scale: 1:3	Drafted	Verified	Confirmed	
Date	20/03/2013	26/09/2017	26/09/2017	
Initials	SD	SD	PJ	

Model



[www.max-vitaal.nl](http://www.max-vitaal.nl)



Material / Materiaal - Model E Serenys

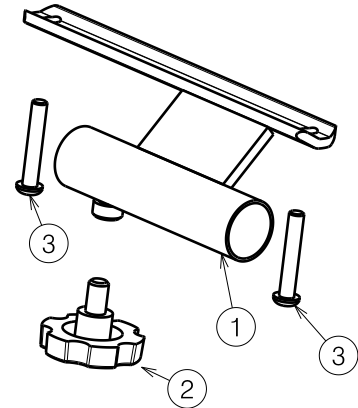
	Article / Artikel	Quantity / Aantal*
92	1608254	1
4	1996908	2
0	1001580	1
0	1992915	2

table (EP00190) double the quantity

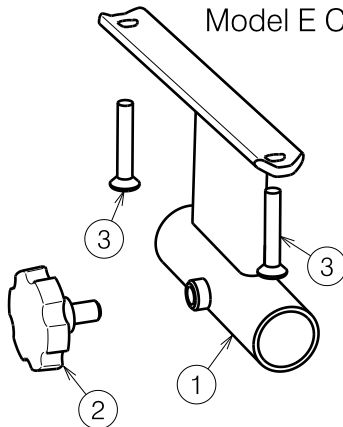
Material / Materiaal - Model E Alesia			
No. / Nr.	Plan	Article / Artikel	Quantity / Aantal*
1	Y014119	1690374	1
2	M8x12	1999934	1
3	M6x35	1006057	2

\*For B15A table (EP00190) double the quantity

Model E - Alesia



Model E Comfort chair



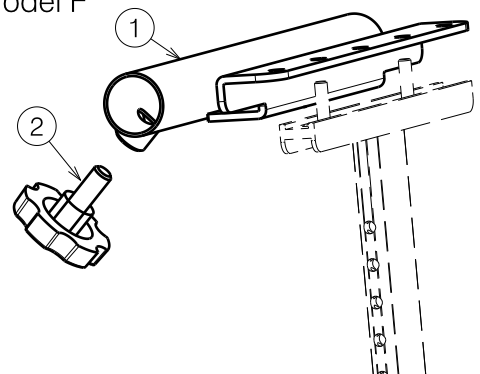
Material / Materiaal - Model E Comfort chair			
No. / Nr.	Plan	Article / Artikel	Quantity / Aantal*
1	Y012628 (L)	1671982	1
	Y012629 (R)	1672082	1
2	M8x12	1999931	2
3	M6x35 DIN966	1003903	2

\*For B15A table (EP00190) double the quantity

Material / Materiaal - Model F			
No. / Nr.	Plan	Article / Artikel	Quantity / Aantal*
1	Y019321	1785254	1
2	M8x16	2990024	1

\*For B15A table (EP00190) double the quantity

Model F



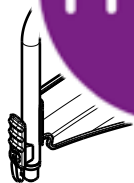
UNIVERSAL B13 2013				Plan No.
				P000025 / E
Scale: 1:3	Drafted	Verified	Confirmed	
Date	20/03/2013	26/09/2017	26/09/2017	
Initials	SD	SD	PJ	





max vitaal  
zorghulpmiddelen

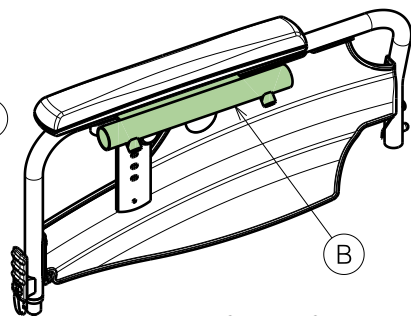
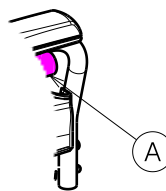
www.max-vitaal.nl



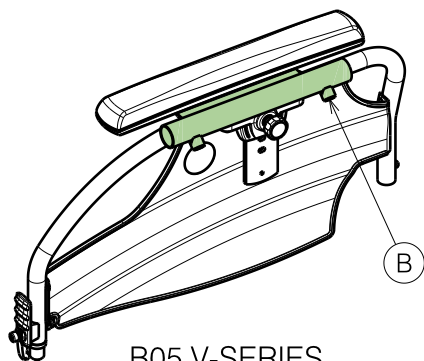
B02 V-SERIES



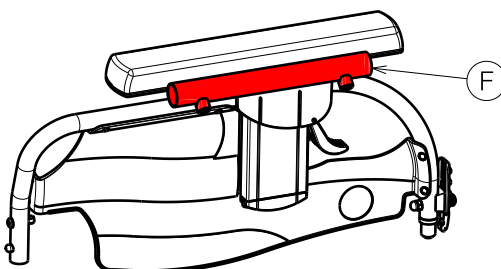
B03 V-SERIES



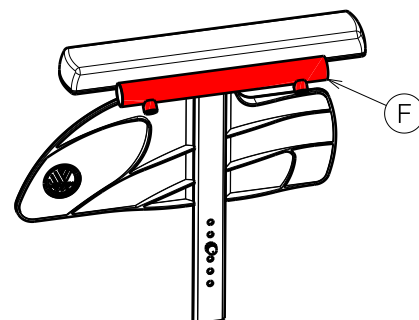
B04 V-SERIES



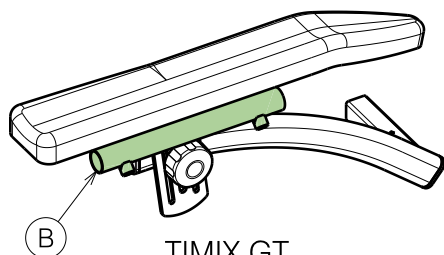
B05 V-SERIES



B04 V-SERIES 2016



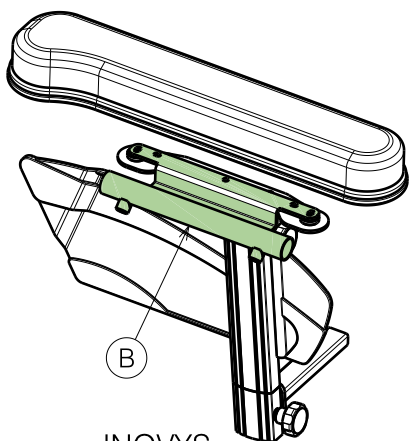
B15 V500



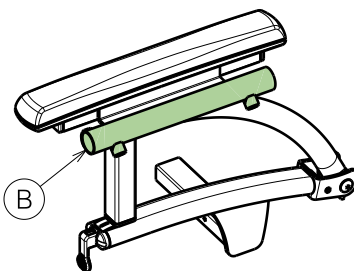
TIMIX GT



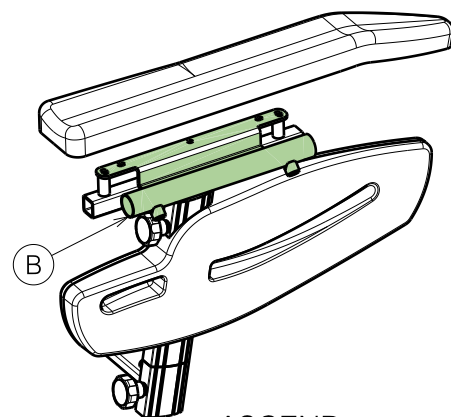
TIMIX / FOREST 3



INOVYS



NAVIX

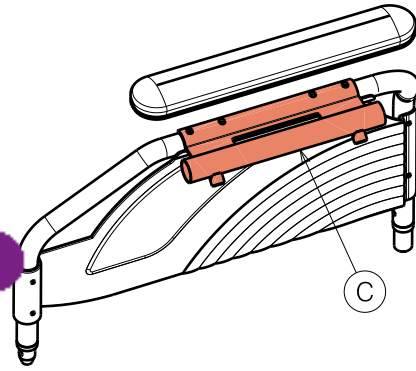


ASCEND

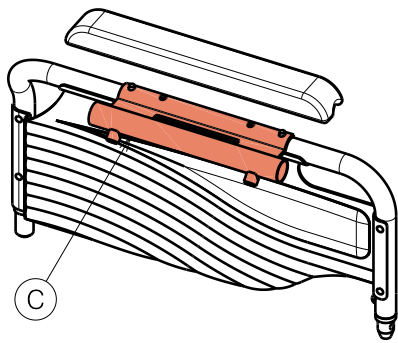
UNIVERSAL B13 2013				Plan No.
				P000025 / E
Scale: 1:8	Drafted	Verified	Confirmed	
Date	20/03/2013	26/09/2017	26/09/2017	
Initials	SD	SD	PJ	



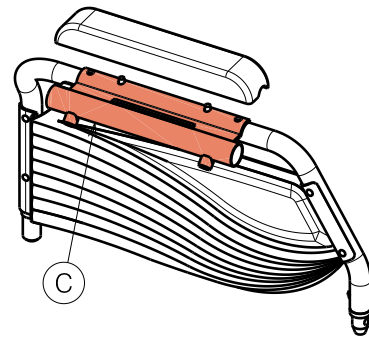
B02 708D



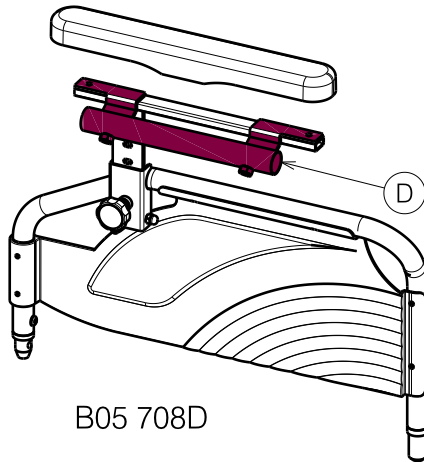
B03 708D



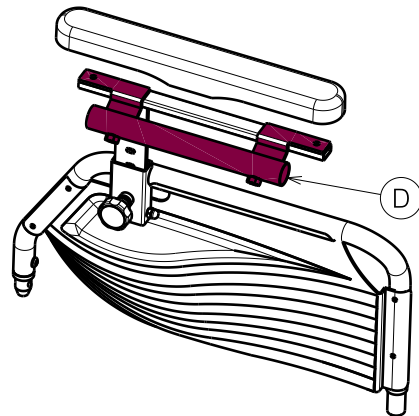
B02 ECLIPS / JAZZ



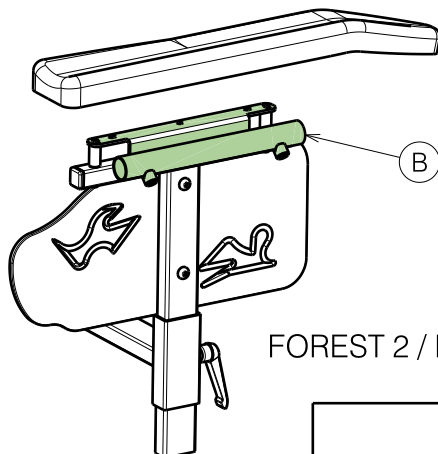
B03 ECLIPS / JAZZ



B05 708D

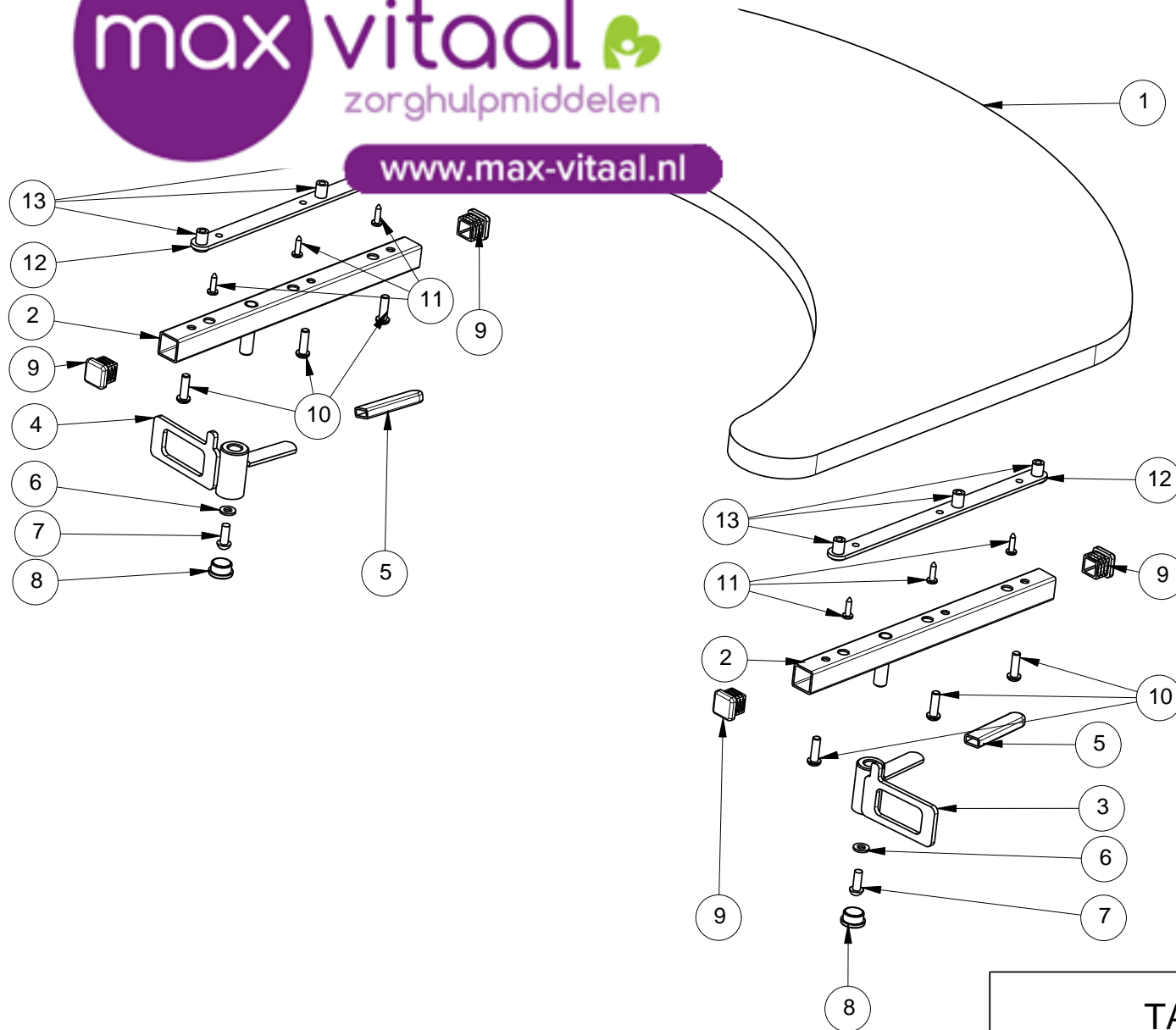


B05 ECLIPS / JAZZ




FOREST 2 / EXPRESS

UNIVERSAL B13 2013				Plan No.
				P000025 / E
Scale: 1:8	Drafted	Verified	Confirmed	
Date	12/03/2013	26/09/2017	26/09/2017	
Initials	SD	SD	PJ	



Material			
No.	Plan	Article	Number
1	XP00778	2991199	1
2	YC01796	1C62182	2
3	YC01793	1C61903	1
4	YC01794	1C62003	1
5	---	1001144	2
6	---	1001564	2
7	---	1008459	2
8	---	1001602	2
9	---	1001612	4
10	---	1006999	6
11	---	1003021	6
12	YC01792	1C62254	2
13	X000989	1004539	6

TABLE B12 ALESIA				Plan No.
				EC00338/A
Scale:1:5	Drafted	Verified	Confirmed	
Date	24/09/2015	24/09/2015	24/09/2015	
Init.	SL	Mars	TG	